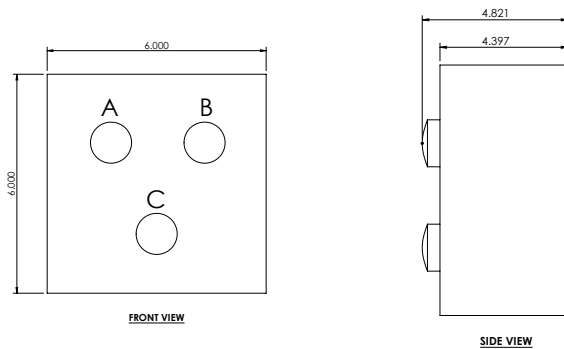


GROUND FAULT INDICATOR

GFD

The GFD ground fault indicator enclosure is an all encompassing device that can be used outdoors or indoors to indicate any presence of current to ground. When no ground fault is present, the three indicator lamps will glow with equal brightness. When a ground fault is detected, the lamp associated with the grounded phase will go out, and the remaining lamps will brighten



Features/Specifications

- 6"H X 6"W X 4"D Type 3R galvanized steel enclosure
- 3 Transformer indicator lights on front cover
- 3 Pilot light lenses
- Provides visual indication of presence of ground path
- Lights wired to terminals for customer connections
- Up to 600V
- Enclosure powder coated PC 101 Grey
- Assembly certified to CSA standards

PART NUMBER	SYSTEM
GFD-5551	600VAC 3 PHASE
GFD-5441	480VAC 3 PHASE
GFD-5221	240VAC 3 PHASE

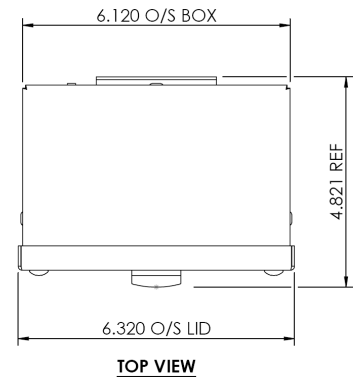
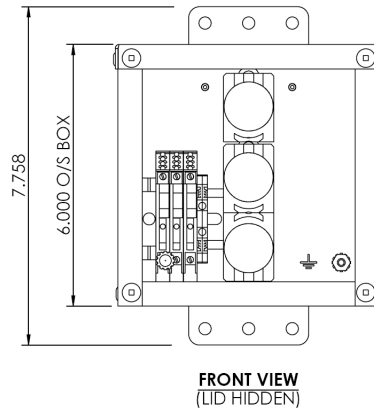
19907-18991



FUSED GROUND FAULT INDICATORS

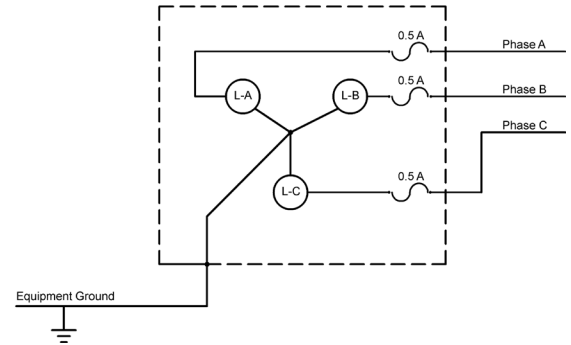
GFDF

The GFDF fused ground fault indicator is an all encompassing device that is used to indicate any presence of current to ground. When no ground fault is present, the three indicator lamps will glow with equal brightness. When a ground fault is detected, the lamp associated with the grounded phase will go out and the remaining lamps will brighten. The galvanized steel body construction offers additional corrosion resistance. Standard PC 101 grey powder coat paint provides a durable finish. The Type 3R weatherproof design can be used in both indoor and outdoor applications.



Features/Specifications

- 6"H x 6"W x 4"D Galvanized steel enclosure
- CSA Type 3R rated
- 3 fused Transformer indicator lights on front cover
- 3 Pilot light lenses
- Provides visual indication of presence of ground path
- Lights wired through fuses to terminals for customer connections
- Up to 600V
- PC 101 Grey powder coat finish



PART NUMBER	SYSTEM
GFDF-5551	600VAC 3 PHASE
GFDF-5441	480VAC 3 PHASE
GFDF-5221	240VAC 3 PHASE