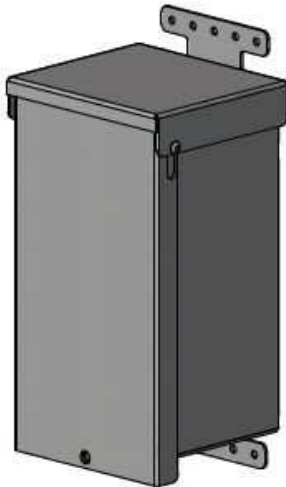




POLE MOUNT POWER CABINET

RWA

This pole mount cabinet is designed to be used where security is an issue. It contains a variety of different outlet configurations and is mainly used for event stages and sports field applications.

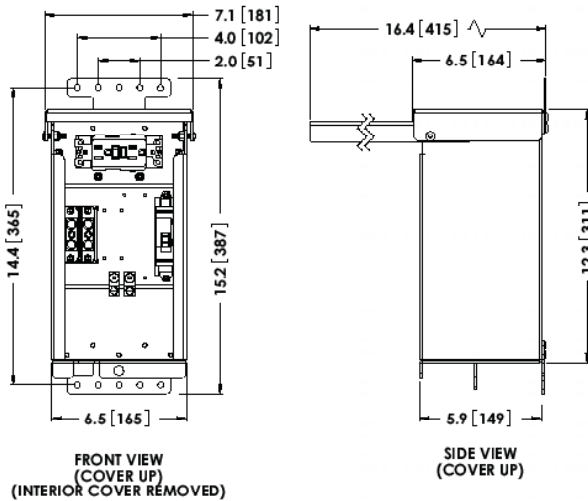


Features/Specifications

- Marine grade aluminum construction
- CSA Type 3R rated
- PC101 Grey powder coat finish
- Padlockable cover
- 15A to 50A receptacles
- All mounting hardware included
- Pole bracket designed for bolt or band-on installation
- 125/250V single phase
- 10kAIC rated
- ETL certified to applicable CSA and UL standards

Options

- Loop feed distribution lugs
- Custom powder coats available



| PART NUMBER | HEIGHT | WIDTH | DEPTH | MATERIAL | MAIN BREAKER | RECEPTACLE |
|-------------|--------|-------|-------|----------|--------------|----------------|
| RWA 12015 | 14" | 6.5" | 6.25" | ALUMINUM | 15A 1P | 15A GFI DUPLEX |
| RWA 12020 | 14" | 6.5" | 6.25" | ALUMINUM | 20A 1P | 20A GFI DUPLEX |
| RWA 12030 | 18" | 8" | 8" | ALUMINUM | 30A 2P | 30A 120/240V |
| RWA 12050 | 18" | 8" | 8" | ALUMINUM | 50A 2P | 50A 120/240V |

FOR ADDITIONAL OPTIONS CONSULT FACTORY