



## ROOF TOP PEDESTAL

Rule 26-704 of the 2015 CEC requires receptacles for maintenance of equipment located on rooftops. This easy to install all encompassing pedestal exceeds the requirements of the standard.

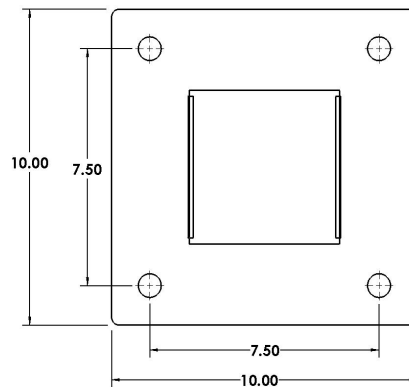
### Code Requirements

- GFCI Receptacle
- Supplied by a separate branch circuit that does not supply any other outlets or equipment
- CSA configuration 5-20R (120V 20A T Slot Receptacle)
- Located within 7.5m of rooftop electrical equipment
- Not less than 750mm (29.5") above the finished roof
- Protected from mechanical damage

### Features/Specifications

- Galvanized steel construction
- CSA Type 3R rated
- Heavy duty While-In-Use flip lid cover
- 30" high, for mounting on solid bases
- Padmount base standard
- Commercial grade receptacles
- PC 101 Grey powder coat finish
- Ground lug

PART NUMBER	RECEPTACLES	CONFIGURATION
RTP-GFI-20	1 - 20A GFI	SINGLE SIDED



19906-18991

**Toll Free Phone: 888-632-6477**

Phone 250-832-6477

Fax: 250-832-7746

E-mail: sales@validmanufacturing.com

**www.validmanufacturing.com**