



REFLECTIVE HEAVY DUTY PARKING LOT PEDESTAL WITH WHILE-IN-USE COVER

EVGSF

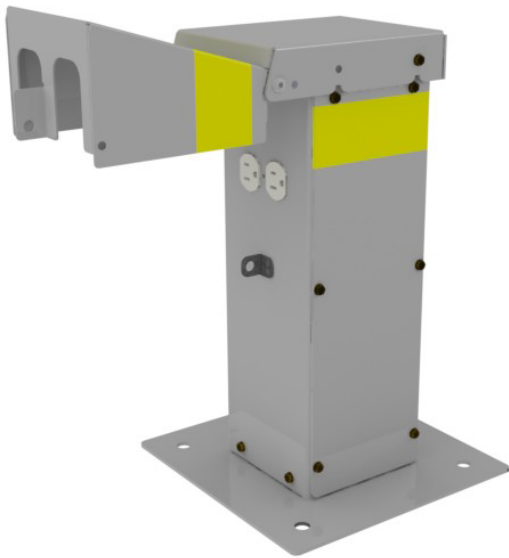
This family of parking lot pedestal is a heavy duty design with reflective strip to distribute power in parking lot applications. The galvanized steel body construction provides additional corrosion resistance. Multiple mini-breaker, receptacle and mounting configurations allows for ease of use for many applications.

Features/Specifications

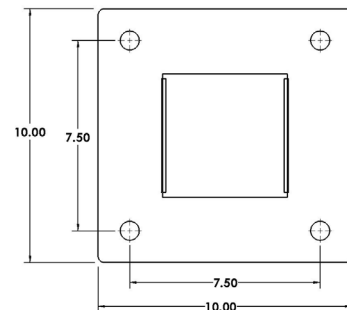
- 12 Gauge galvanized steel construction
- CSA Type 3R rated
- 16"H, for mounting on raised base
- 2" fluorescent strip
- 10" x10" - 10 gauge padmount base
- Mini breaker protection where required
- While-In-Use flip lid cover
- PC 101 Grey powder coat finish
- Ground lug

Optional Items

- Custom heights
- Template and 4 anchor bolts, nuts & washers (P/N: PAB-EVGS)
- 15/20A or GFI receptacles
- Marine grade aluminum construction
- Custom powder coat colours



| PART NUMBER standard base | RECEPTACLES | MINI BREAKERS |
|------------------------------|--------------------|---------------|
| EVGSF1 | 1 - 15A Duplex | NONE |
| EVGSF2 | 1-15A Duplex Split | NONE |
| EVGSF3 | 1-15A Duplex | 1-15A |
| EVGSF4 | 1-15A Duplex Split | 2-15A |
| EVGSF5 | 2 - 15A Duplex | NONE |
| EVGSF6 | 2-15A Duplex Split | NONE |
| EVGSF7 | 2-15A Duplex | 2-15A |
| EVGSF8 | 2-15A Duplex Split | 4-15A |
| EVGSF9 | 3-15A Duplex | NONE |
| EVGSF10 | 4-15A Duplex | NONE |
| EVGSF11 | 3-15A Duplex | 3-15A |
| EVGSF12 | 4-15A Duplex | 4-15A |



standard base dimensions