



valid MANUFACTURING Ltd.
Advanced technology... Simple solutions.

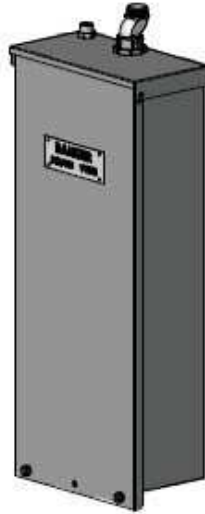
STAINLESS STEEL LIGHTING CONTROL PANEL

LCPSS

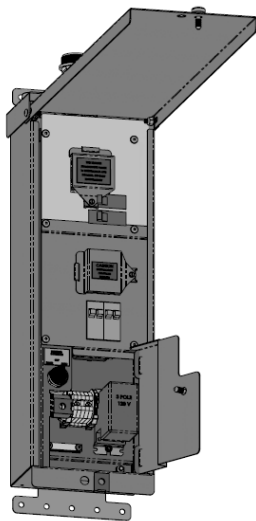
This stainless steel lighting control panel is specifically designed for areas where corrosion is an issue. The compact form makes it easy to install and maintain, and the padlock-able door offers added security.



LCPSS-01
STREETLIGHT PANEL 240V



LCPSS-02
STREETLIGHT PANEL 480V



LCPSS-03
TRAFFIC/STREETLIGHT
COMBINATION PANEL 240V

Features

- 304 (#4) stainless steel construction
- NEMA 3R rated
- Service entrance rated
- Branch circuits
- Lighting contactors in control section
- Pole mount
- Test switch
- Padlock-able cover
- Top photocell access
- Mounting hardware and required fittings included

Specifications

- 120/240 VAC 1 phase (01)
- 240/480 VAC 1 phase (02)
- 120/240 VAC 1 phase (03)
- 10,000 AIR
- ETL certified to applicable CSA and UL standards

Optional Components

- Additional lighting contactors
- Sub breakers as required

Benefits

This multi-purpose lighting control panel offers extreme protection in a compact footprint.



19910-18991

Toll Free Phone: 888-632-6477

Phone 250-832-6477

Fax: 250-832-7746

E-mail: sales@validmanufacturing.com

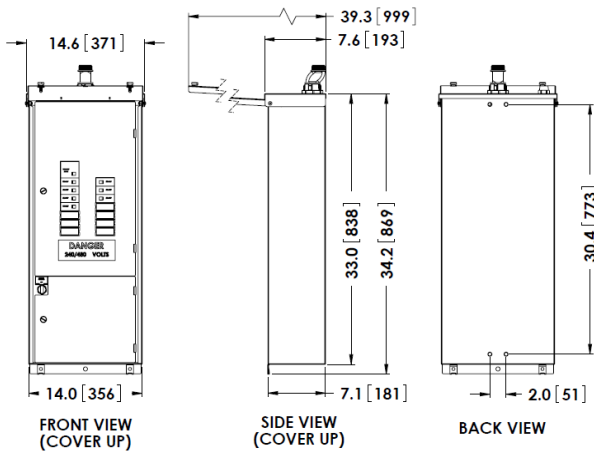
www.validmanufacturing.com



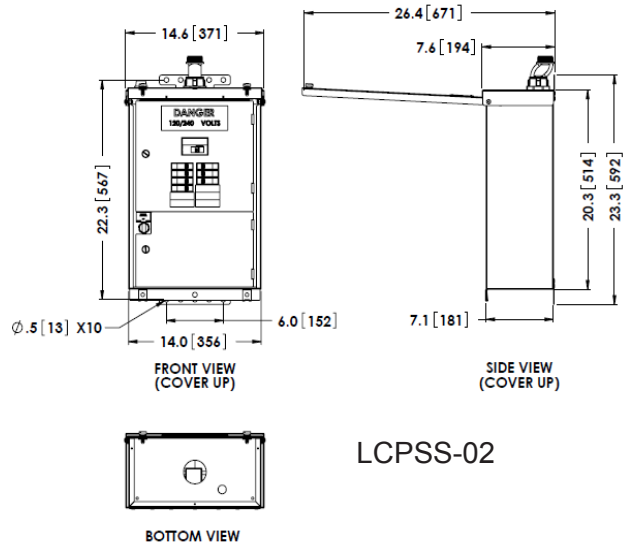
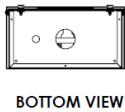
valid MANUFACTURING Ltd.
Advanced technology... Simple solutions.

STAINLESS STEEL LIGHTING CONTROL PANEL

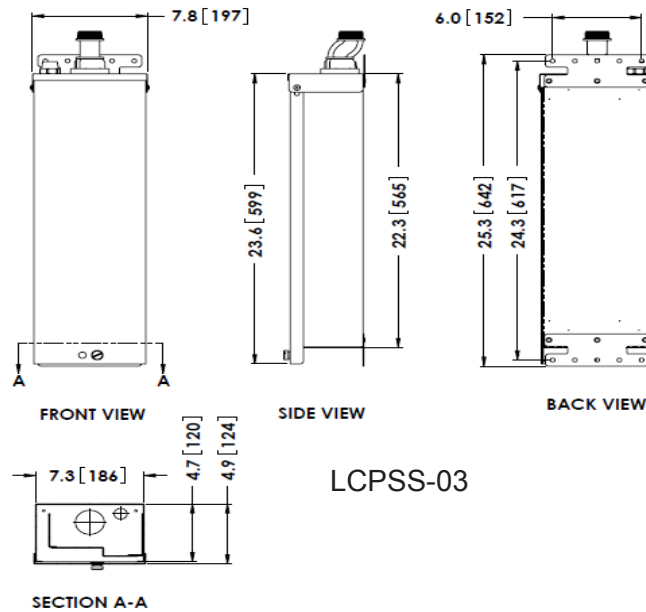
LCPSS



LCPSS-01



LCPSS-02



LCPSS-03

PART NUMBER	HEIGHT	WIDTH	DEPTH	MATERIAL	VOLTAGE
LCPSS-01	20"	14.5"	7.5"	STAINLESS STEEL	120/240V 1 PH
LCPSS-02	33"	14.5"	7.5"	STAINLESS STEEL	240/480V 1 PH
LCPSS-03	22 1/4"	7 3/4"	5"	STAINLESS STEEL	120/240V 1 PH

CONSULT FACTORY FOR ADDITIONAL OPTIONS AND SIZES

19910-18991

Toll Free Phone: 888-632-6477

Phone 250-832-6477

Fax: 250-832-7746

E-mail: sales@validmanufacturing.com

www.validmanufacturing.com