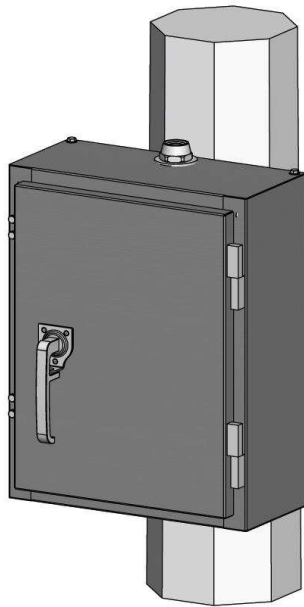


# HIGHWAY SERVICE PANEL

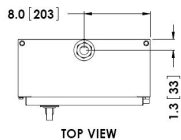
## HWYSP12

This family of HWYSP12 Highway Service Panel is a service panel that can be used on any steel pole for street lighting or power distribution and is fed from a supply authority underground or overhead service. The hinged door with padlockable handle enables easy access. A Type 3R rating and stainless steel construction offer additional protection.

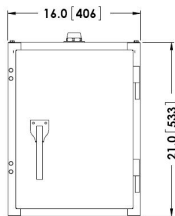


### Features/Specifications:

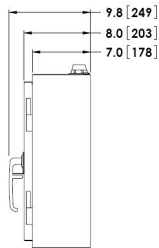
- 304 stainless steel construction
- Service entrance rated
- CSA Type 3R rated
- Overhead or underground service applications
- Hand-Off-Auto photocell bypass switch
- Lock-out tab on main breaker
- Mounting hardware and conduit fittings included
- 12 cct panel
- 120/240 VAC 1 phase
- 10 kAIC rated
- 100A main breaker (standard)
- Padlockable handle
- 1 1/4" conduit entry & 2" pole access hole on back
- Contactors and controls section for up to two 4 pole contactors or flashers
- Listed on BC MOT&I recognized products list



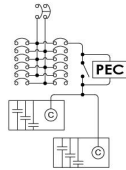
TOP VIEW



FRONT VIEW



SIDE VIEW



### Optional Components:

- 30A & 100A main breakers
- Snowplow debris cover
- Up to 2 lighting contactors
- Flasher controls
- Sub breakers as required up to 22 kAIC
- Additional contactors

PART NUMBER	HEIGHT	WIDTH	DEPTH	MAIN SERVICE	SERVICE	MAX # CONTACTORS
HWYSP12-3S	24"	16"	8"	120/240V 30A 1PH	Overhead	3
HWYSP12-6S	24"	16"	8"	120/240V 60A 1PH	Overhead	3
<b>HWYSP12-10S*</b>	24"	16"	8"	120/240V 100A 1PH	Overhead	3
HWYSP12-3S-U	24"	16"	8"	120/240V 30A 1PH	Underground	3
HWYSP12-6S-U	24"	16"	8"	120/240V 60A 1PH	Underground	3
HWYSP12-10S-U	24"	16"	8"	120/240V 100A 1PH	Underground	3

ADDITIONAL OPTIONS
CROSSWALK FLASHER
WARNING BOARD FLASHER
LIGHTING CONTACTOR (QTY1)
LIGHTING CONTACTOR (QTY2)

\* Factory standard design

FOR ADDITIONAL OPTIONS CONSULT FACTORY