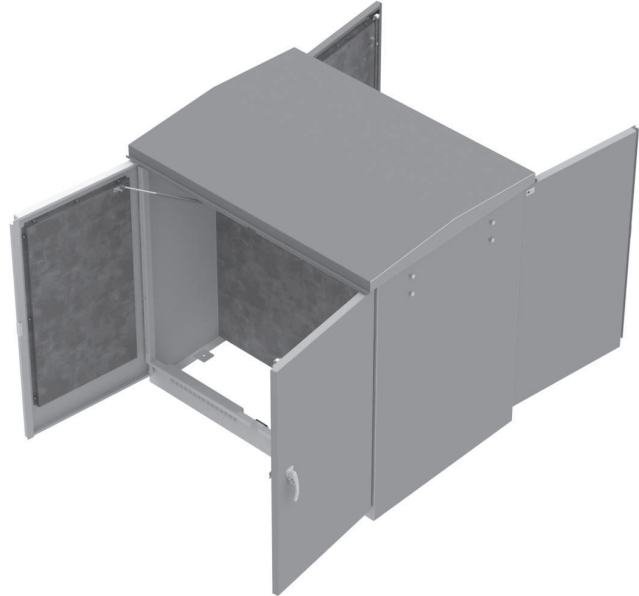




ALUMINUM DOUBLE-SIDED, DOUBLE-DOOR KIOSK

DDSA



Features/Specifications

- Marine grade aluminum construction
- CSA Type 3R rated
- Padmount design
- Slanted roof with rain gutter
- Double roof design for solar shielding
- Padlockable stainless steel 3-point handles
- Double sided, double door design
- Hinged doors with pour in place gasket
- Hidden hinges for additional security
- Gas shock door stays
- Full galvanized backpanels
- Removable lifting ears (when required)
- PC101 (ANSI 61) Grey powder coat finish

Options

- Meter window
- Tamper proof louvers
- Recessed door handles
- Puck locks
- Insulation
- Door switch, light, thermostat, heater, fan
- Floor stand kit
- Custom backpanel and sidepanel configuration
- Complete electrical integration
- Custom sizes
- Stainless steel construction
- Custom powder coat colours

PART NUMBER	HEIGHT	WIDTH	DEPTH
DDSA486652	48"	66"	52"
DDSA606042	60"	60"	42"
DDSA608244	60"	82"	44"
DDSA727248	72"	72"	48"
DDSA728040	72"	80"	40"
DDSA789636	78"	96"	36"
DDSA7910040	79"	100"	40"
DDSA799440	79"	94"	40"
DDSA848436	84"	84"	36"
DDSA848448	84"	84"	48"
DDSA908436	90"	84"	36"
DDSA968442	96"	84"	42"
DDSA9610842	96"	108"	42"