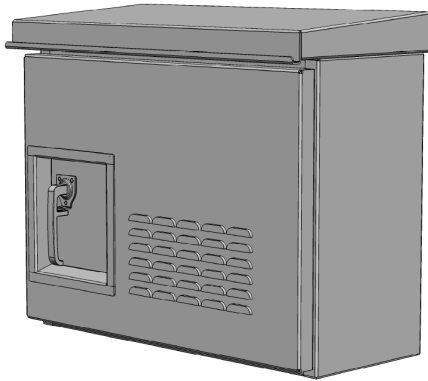




UPS13

The NEMA 3R enclosure is designed to support a UPS and is mounted to the back of an existing intersection control cabinet. It is large enough to support a UPS and four smaller batteries.



Features

- 304 (#4) stainless or marine grade aluminum construction
- Aluminum enclosures are powder-coated PC101 Grey
- NEMA 3R rated
- Padlock-able 3-point latch mechanism on door
- Recessed handle
- Hidden hinges for added security
- Slanted roof to repel rain, ice and snow
- Filtered louvers
- Cabinet or base mount
- 200 lb. rated battery shelf with rollout feature
- All mounting hardware included

Specifications

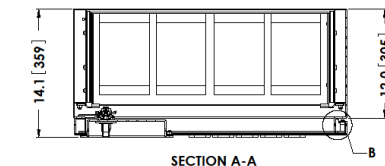
- ETL certified to applicable CSA and UL standards
- 1/8" marine grade aluminum construction

Optional Components

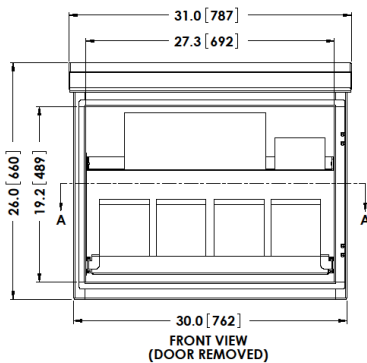
- Police door
- Generator outlet
- Custom powder coat colors

Benefits

The rollout shelf of this UPS cabinet makes it convenient to test and change the batteries. Its recessed handle and hidden hinges provide added security.



DETAIL B



PART NUMBER	HEIGHT	WIDTH	DEPTH	MATERIAL
UPS13A	26"	30"	12"	ALUMINUM
UPS13S	26"	30"	12"	STAINLESS STEEL

CONSULT FACTORY FOR ALL OPTIONAL CONFIGURATIONS