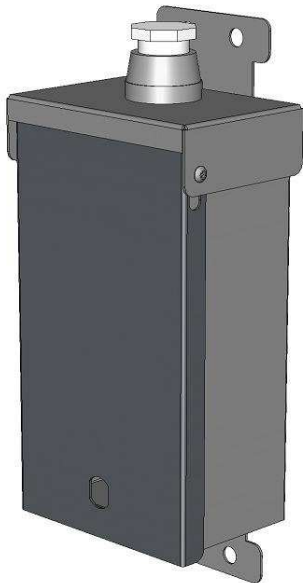




## TELEPHONE DEMARCATION PANEL

### TDPS

The TDPS Telephone Demarcation Panel is a convenient pole mount compact enclosure with cable entry points at the top and bottom to enable a single access point for telephone connections. The plywood backpan allows easy mounting of equipment. The enclosure is manufactured from stainless steel and all connecting hardware is stainless, therefore offering superior corrosion protection.

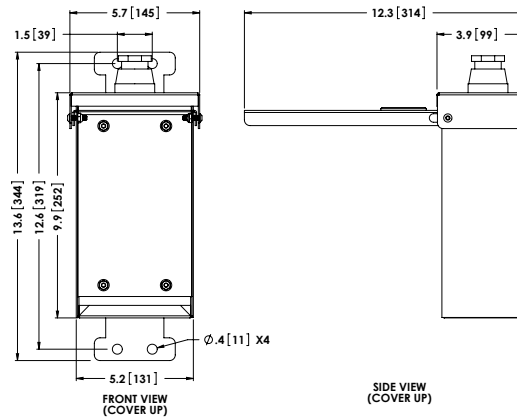


#### Features/Specifications

- Pole mount design
- 304 (#4) stainless steel construction
- NEMA 3R rated
- Top and bottom cable entry
- Plywood backpan
- Flip-lid
- All mounting hardware supplied including 1" bullet hub and 1" threaded plug
- Bolt or band-on style brackets

#### Options

- Custom sizes
- Steel construction
- Custom powder coat colors



| PART NUMBER | HEIGHT | WIDTH  | DEPTH  | MATERIAL        |
|-------------|--------|--------|--------|-----------------|
| TDPS-6-10-6 | 10"    | 5 3/4" | 3 7/8" | STAINLESS STEEL |

CONSULT FACTORY FOR OPTIONAL SIZES AND CONFIGURATIONS

19910-18991