



Chair Slide Option:

A Working Solution:

The chair slide feature offers easy (in/out) access to workstations / desks.

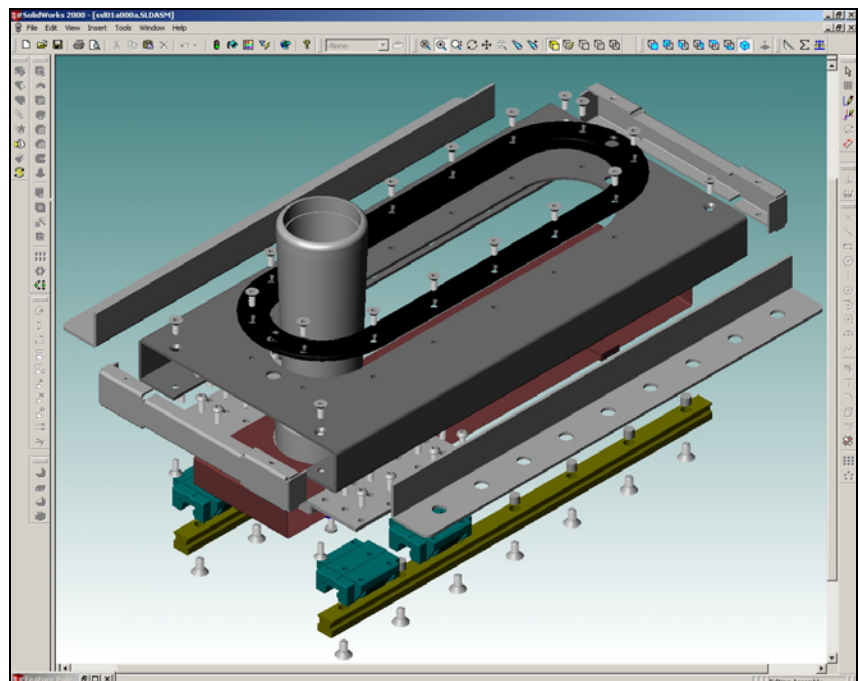
Using 2 linear bearing carriages, the chair slide moves effortlessly out of the way when not in use.

The durable Chair Slide assembly base is designed to mount beneath the floor, providing a flush surface with more leg room underneath the chair. Modular design and access covers allow for quick replacement of worn parts.

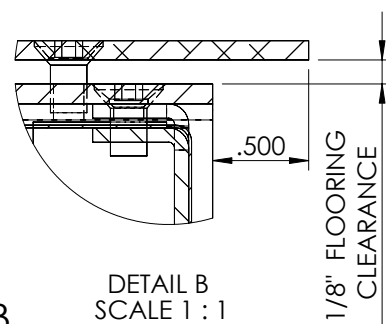
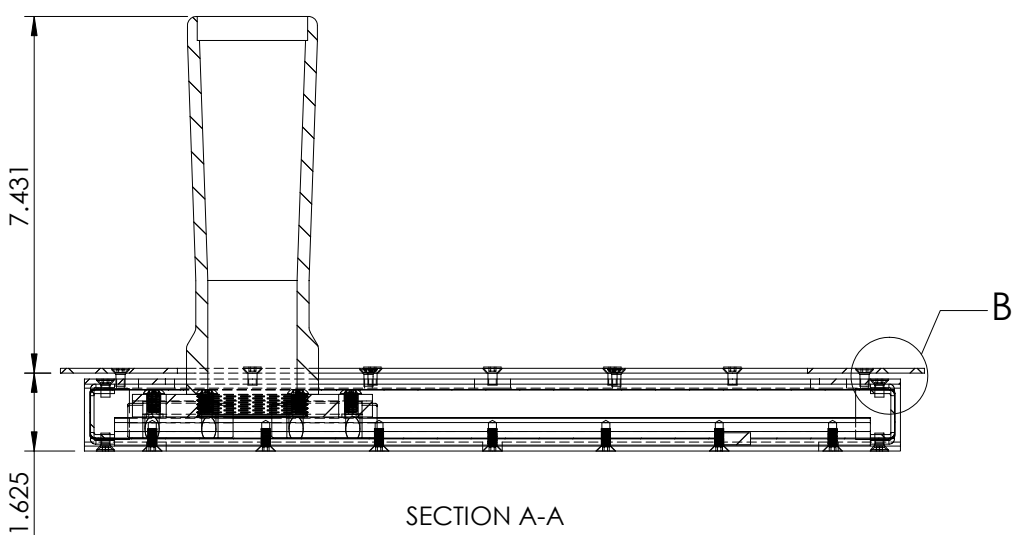
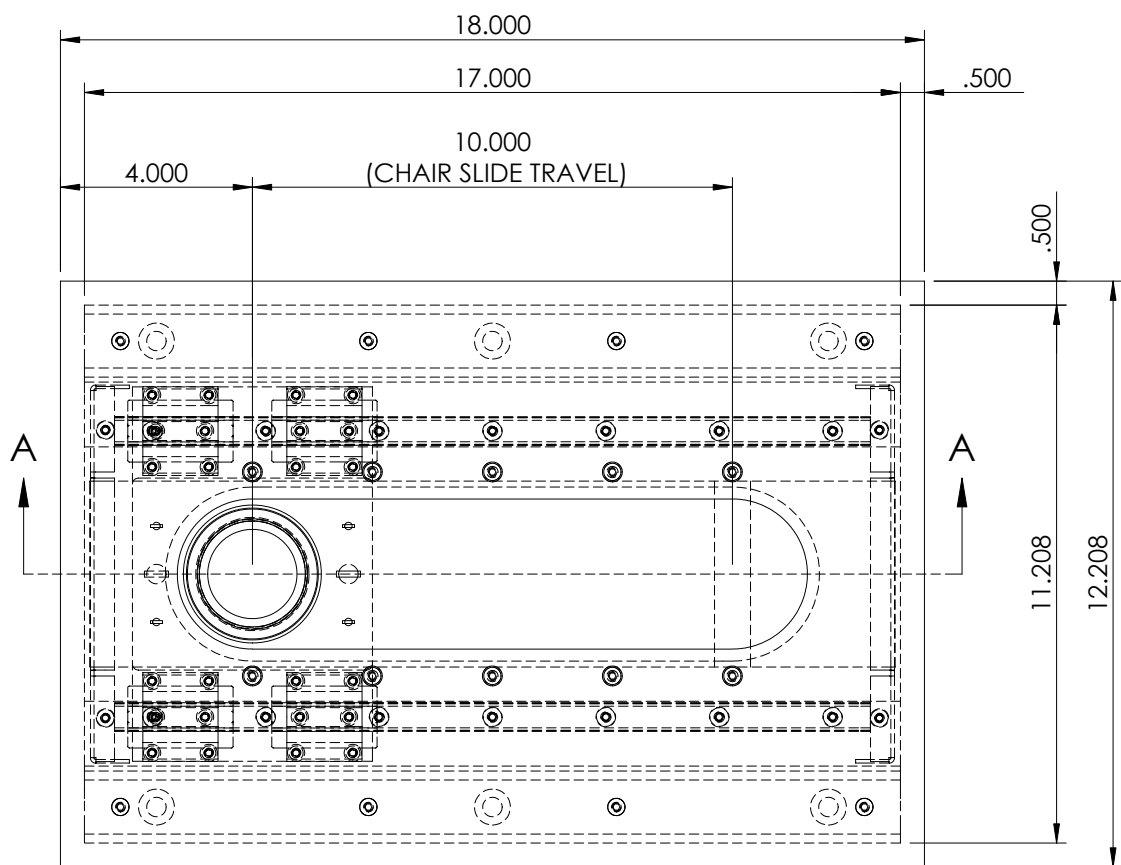
The robust Chair Slide receiver sleeve threads snugly into the assembly base, offering tremendous stability.

High-performance, long-term seating in three sizes with a full complement of adjustments and innovative suspension; for computer work, general office work, and meetings.

Contact Valid Manufacturing Ltd. for application options, price and delivery information.



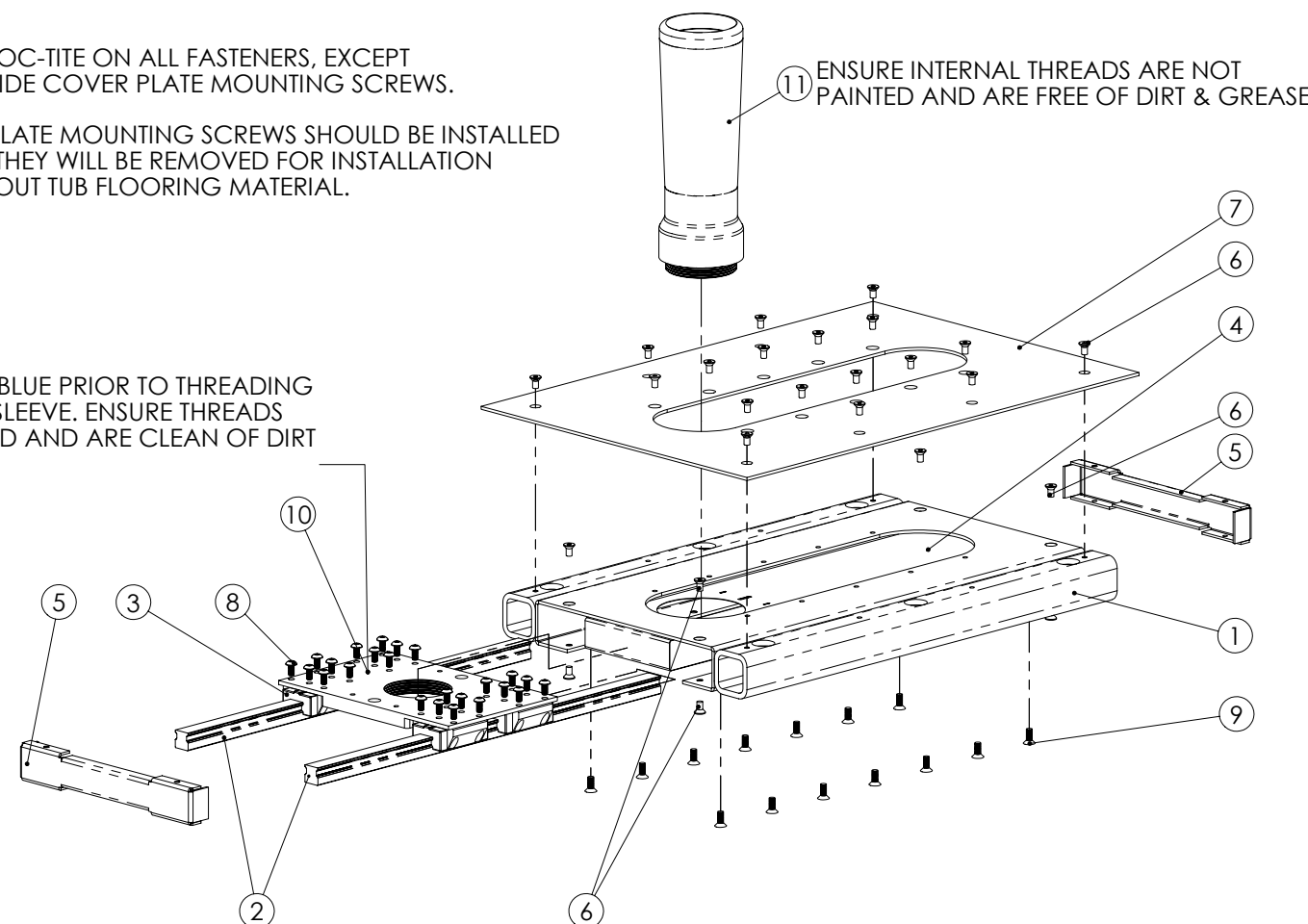
ITEM NO.	QTY.	PART NO.	DESCRIPTION	MATERIAL	LENGTH	WEIGHT
1	1	SSL01A004A-1	WELDMNT, CHAIR SLIDE, LDV			13.77
2	2	TKVD15UG4-400mm	LINEAR GUIDEWAY, 15mm x 400mm LONG			1.4
3	4	KWVE15G4V1	LINEAR BEARING CARRIAGE, 15mm, INA			247
4	1	SSL01P005A	COVER, SLIDE TRACK	CORDURA-BLK	1.1	0.1
5	2	SSL01P003A	BRACKET, END, CHAIR SLIDE	CRPL14GA-4X10	0.128	0.34
6	26	SHFC10NF.375	CAPSCREW, SKTHDFLT, #10-32 X 3/8			0
7	1	LDV01-P040	PLATE, CHAIR SLIDE COVER	ALPL.100-4X10	1.525	1.75
8	24	BHC10NF.375	CAPSCREW, BUTHD 10-32 x 3/8in			0
9	14	SHFCM5X12-CS	CAPSCREW,FLTHD,SKT,M5-5.8 x 12mm, CARBON STEEL			0
10	1	SSL01P002A-1	PLATE, MOUNTING, RECEIVER SLEEVE, THREADED	HRFB.5X5	7.875	2.64
11	1	SSL01P007A-1	RECEIVER SLEEVE, THREADED	PI2.5X.552	8.375	4.32



USE PURPLE LOC-TITE ON ALL FASTENERS, EXCEPT THE CHAIR SLIDE COVER PLATE MOUNTING SCREWS.

THE COVER PLATE MOUNTING SCREWS SHOULD BE INSTALLED LOOSELY AS THEY WILL BE REMOVED FOR INSTALLATION OF THE SLIDEOUT TUB FLOORING MATERIAL.

APPLY LOC-TITE BLUE PRIOR TO THREADING INTO RECEIVER SLEEVE. ENSURE THREADS ARE NOT PAINTED AND ARE CLEAN OF DIRT AND GREASE.



REV	BY	DATE	DESCRIPTION	UNLESS OTHERWISE SPECIFIED DIMENSIONS ARE IN INCHES TOLERANCES ARE: FRACTIONS DECIMALS ANGLES ± 1/32" .XX ± .01 ± .5° .XXX ± .010	CAD GENERATED DRAWING, DO NOT MANUALLY UPDATE	VALID MANUFACTURING LTD.
-	-	-	-		APPROVALS	DATE
-	-	-	-		DRAWN TJ	
-	-	-	-		CHECKED	
-	-	-	-		RESP ENG	
THE INFORMATION CONTAINED IN THIS DRAWING IS THE SOLE PROPERTY OF VALID MANUFACTURING LTD. ANY REPRODUCTION IN PART OR WHOLE WITHOUT WRITTEN PERMISSION IS PROHIBITED				FINISH	MFG ENG	
				DO NOT SCALE DRAWING	QUAL ENG	
				SCALE	SCALE (UNLESS NOTED)	1:4
				SIZE B	DWG. NO.	ssi01a000a-1
					REV.	
				SHEET		1 OF 1